

Exploded diagram and spare parts list

CB937

For Exploded View of Main Machine

[Click here](#)

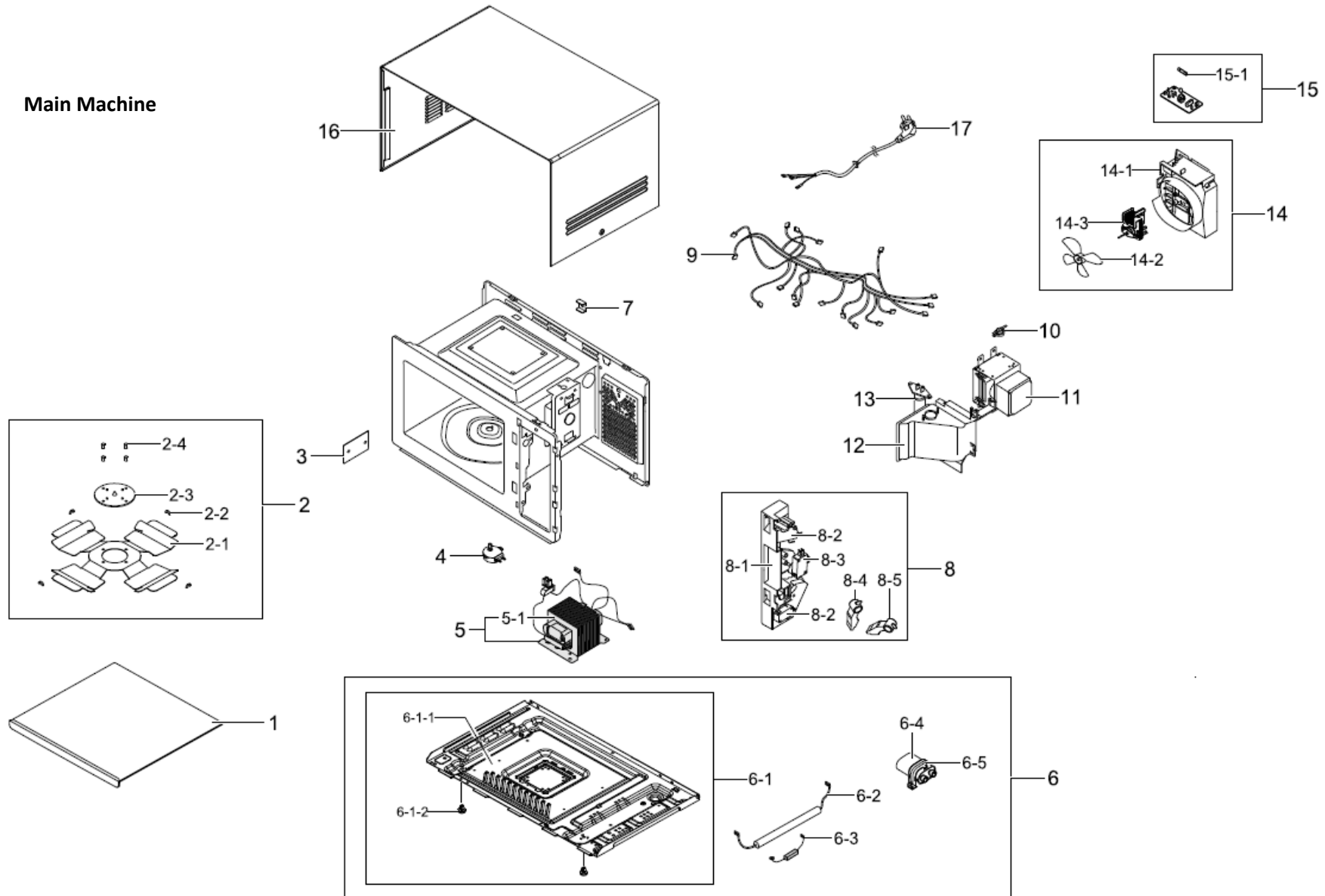
For Exploded View of Door Assy

[Click here](#)

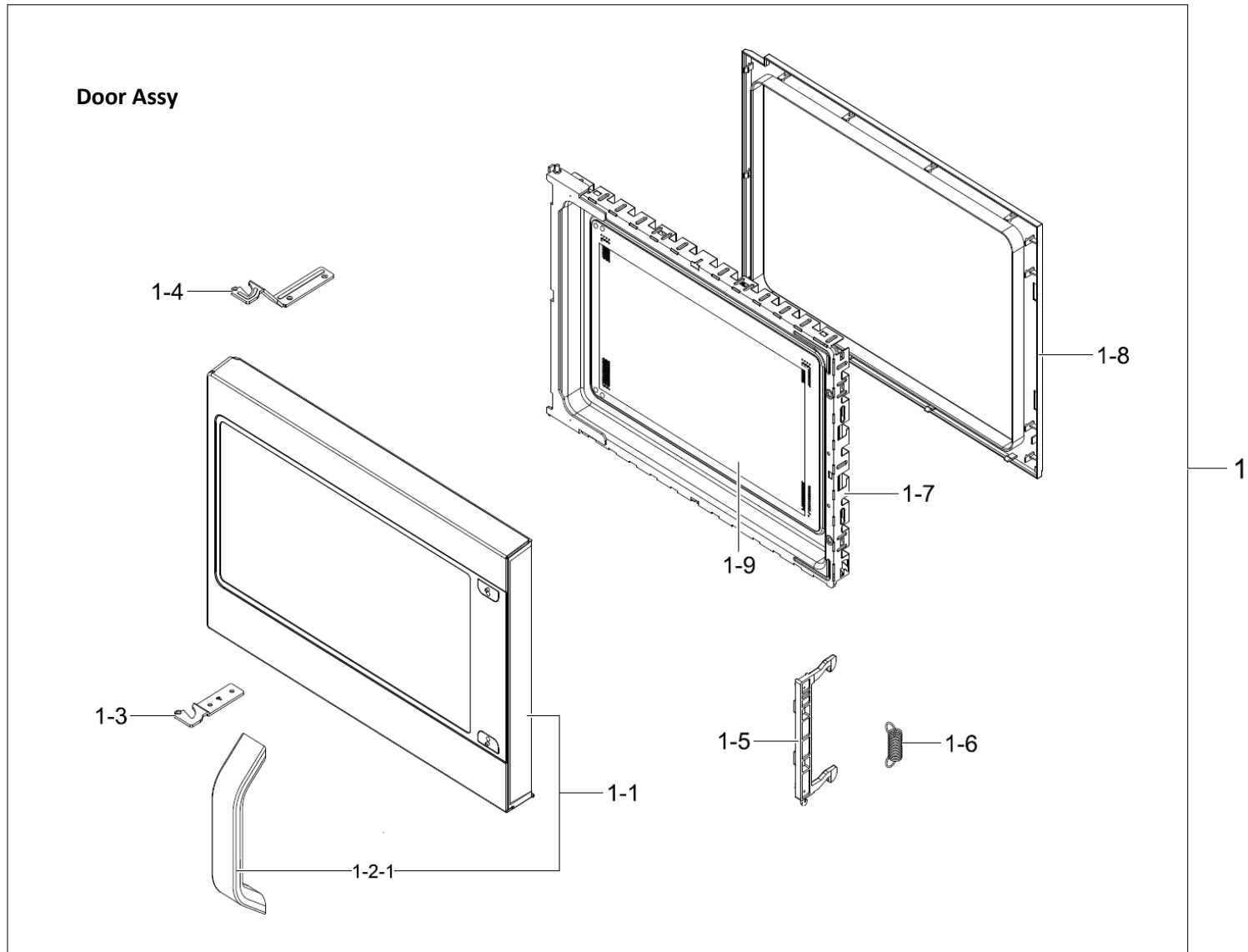
For Exploded View of Control Box Assy

[Click here](#)

Main Machine



No.	Part code		Description
1	DE97-00191A	✓	ASSY-TRAY CERAMIC; CM1049,-,T3.2,COMMERC
2	DE97-00190A	✓	ASSY STIRRER; CM1049,ALS
2-1	DE31-00009A		BLADE-STIRRER; CM1030M,ALP1050,T0.8
2-2	DE60-80043A		SPACER-STIRRER; TEFLON,W6.3,T2
2-3	DE61-00098A		HOLDER-STIRRER; CM1030M,TEFLON,WHT
2-4	DE69-90054A		CLIP-STIRRER; 5mm,TEFLON-PFA,CM1819/29
3	DE71-00163A	✓	COVER-CEILING; CM1049,MICA SHEET,T0.5,W12
4	DE31-10173C	✓	MOTOR SYNCHRONOUS; SEMI-COMM,21V,16.7/20R
5	DE96-00964C		ASSY POWER PACK; CM1079-A/XEU,0.8 CU.FT
5-1	DE26-00051B	✓	TRANS H.V; SHV-E1049B,230V,50Hz,2360V/3.4
6	DE96-00240G		ASSY BASE PLATE; SEMI COMM 1059/1069,-,-,
6-1	DE96-00042A		ASSY BASE PLATE SUB; -,-,-,3RD-1.0,SEPARA
6-1-1	DE80-10001G		BASE-PLATE; 3RD,GI-SGCC,T0.6,W345,L565
6-1-2	DE61-40066A		FOOT; PP,BLK
6-2	DE91-70061H	✓	ASSY H.V.FUSE; -,THV060T-0900-H,5KV0.90A,
6-3	DE59-00002A		DIODE-H.V; MWO ALL,2CL4512H,-,450mA 13KV,
6-4	2501-001285	✓	C-OIL; 1.13uF,2100V(CLASS P),AL CAN TYPE
6-5	DE61-00419A		BRACKET-HVC; CM1049,EGI-SECC,T0.8
7	DE61-50541A		BRACKET-EARTH; GI-SGCC,T1.0,W15,L8
8	DE94-01862D	✓	ASSY BODY LATCH; MC455TCRCSR/XE,CONTRABAS
8-1	DE72-00137G		LATCH-BODY; AMC6158/JMC9158,PBT
8-2	3405-001034		SWITCH-MICRO; 125/250VAC,16A,200gf,SPST-N
8-3	3405-001032	✓	SWITCH-MICRO; 125/250VAC,16A,200GF,SPDT
8-4	DE66-00093A		LEVER-SWITCH(A); NC2000,PP,NTR,HANDLE
8-5	DE66-00094A		LEVER-SWITCH(B); NC2000,PP,NTR,HANDLE
9	DE39-00396A		WIRE HARNESS-A; CM1069,230V/50HZ,STANDBY
10	DE47-20173A		THERMOSTAT; NT-101,125/250V,905,605,1
11	OM75P(31)ESGN	✓	ASSY-MGT; ASSY-MGT
12	DE71-60016E		COVER-AIR; CM1049,PP,FH44N,SEMI-COM
13	4713-001524	✓	LAMP-INCANDESCENT; 230V,20W
14	DE96-00108C	✓	ASSY MOTOR FAN; CM1059/XEU,230V50HZ,2500R
14-1	DE71-00061A		COVER-MOTOR; 2 & 2 PROJECT,PP,TB53,2 & 2 PROJ
14-2	DE31-90051A		BLADE-FAN; -,PP,-,D130,-,T,-
14-3	DE31-10177C	✓	MOTOR FAN; SMF-1049EA,-,-,230V50Hz,15mm,-
15	DE96-00010C	✓	ASSY NOISE FILTER; -,SN-3WED(12),250V12A
15-1	3601-001019	✓	FUSE-CARTRIDGE; 250V,12A,SLOW-BLOW,CERAMI
16	DE64-01740A		PANEL-OUTER; CM1059/1069,STAINLESS-ST5430
17	DE96-00180C		ASSY POWER CORD; BSI,Flag,250V/13A,H07RNSA
18	DE73-90027A		FERRITE-CORE; T13.8,NI-ZN,BNF-14(K150),L2
19	DE69-00909A		PAD SHEET; ALL MODEL CMO,HDPE,T0.03,W400,

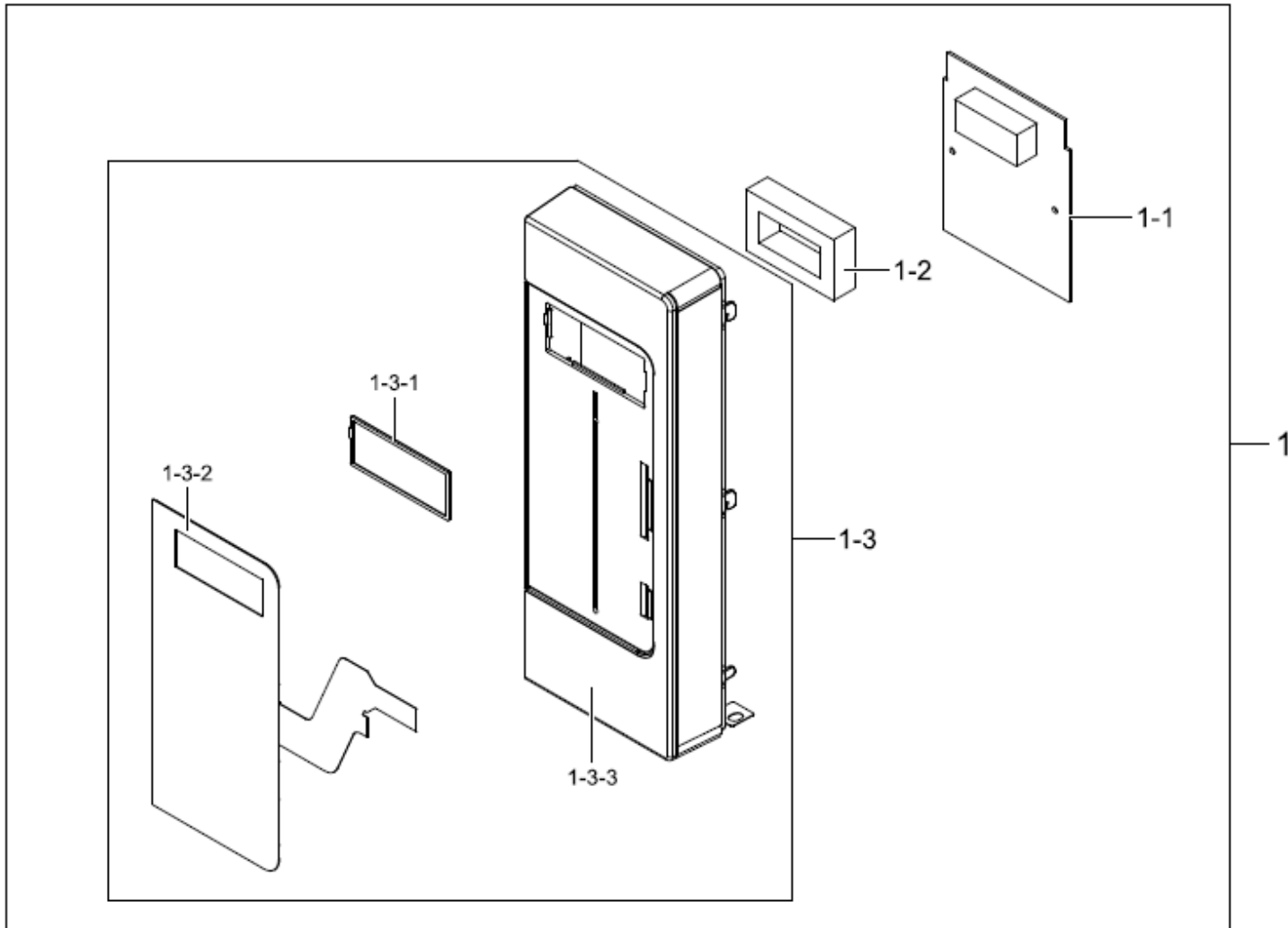


## Exploded diagram and spare parts list

CB937

No.	Part code		Description
1	DE94-03005A		ASSY DOOR; CM1089,STSS,MANDOLIN
1-1	DE94-03002A		ASSY DOOR A; CM1089,STSS,MANDOLIN
1-2-1	DE64-02745A		HANDLE-DOOR; COMMERCIAL,AL,MANDOLIN
1-3	DE61-80003A		HINGE-LOWER; ME6144W/XSA,SSEC,T2.3,W26,L7
1-4	DE61-80002A		HINGE-UPPER; WHT,SSEC,T2.3,W26,L77,ZPC3
1-5	DE64-00264A		KEY-DOOR; 3RD-W NEW,POM,-,-,BLK,-,-
1-6	DE61-00199A		SPRING-KEY; M1977,HSWR-SWRH,D6,25 1/4,25
1-7	DE92-50127H	✓	ASSY DOOR E; -,-,BLACK,COATING,T0.8
1-8	DE64-40012D		DOOR-C; JES1036NL02,ROH,EMBO HEIGHT 0.8mm
1-9	DE01-00002B	✓	FILM-DOOR; CM1089,PET,T0.15,W290,L169,NTR

**Control Box Assy**



## Exploded diagram and spare parts list

CB937

No.	Part code		Description
1	DE94-03004A		ASSY CONTROL BOX; CM1089,230V 50HZ,STSS S
1-1	DE92-03494B	✓	ASSY PCB MAIN; CM1089/X,RCS-SMS1020-05,Y
1-2	DE94-01862D	✓	ASSY BODY LATCH; MC455TCRCSR/XE,CONTRABAS
1-3	DE94-03003A	✓	ASSY CONTROL PANEL; CM1089,STSS ST-4300.
1-3-1	DE64-02746A		WINDOW DISPLAY; COMMERCIAL,SAN,69,39,MAND
1-3-2	DE34-00413A	✓	SWITCH MEMBRANE; CM1089-MANDORIN,PET,230V
1-3-3	DE64-02751A		CONTROL-PANEL; COMMERCIAL,ABS,106.3,281,4

